



DESCRIPTION

The **Modus T30 Series Differential Pressure Transmitters** are reliable, stable, low-air pressure transmitters with 4-20 mA outputs. The **T30 Series** is DC-powered. Higher ranges utilize piezo-resistive sensors. Ranges are available for 0" to 0.3" W.C. to 0" to 10" W.C.

All models may be furnished in bidirectional ranges, which will measure both positive and negative pressure differentials.

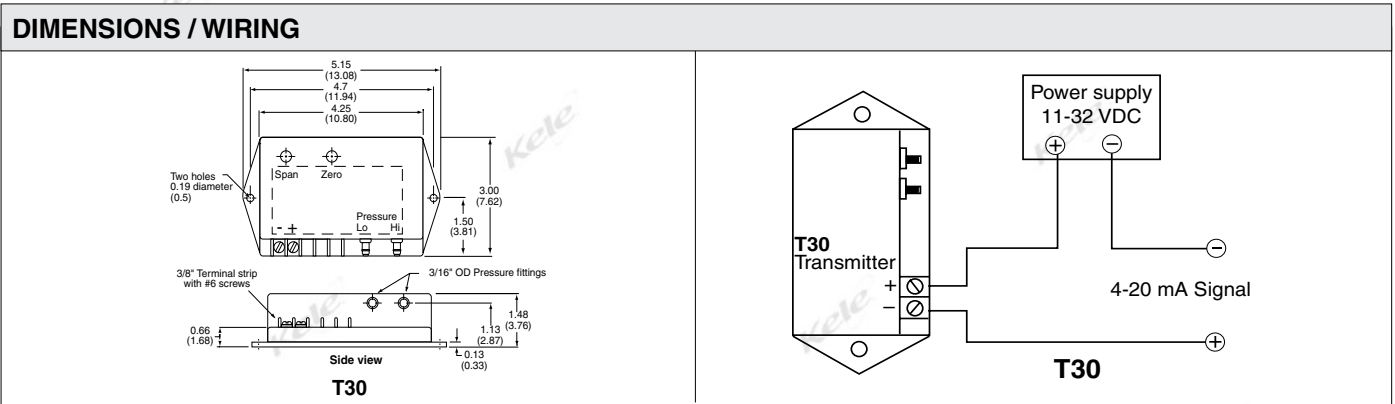
FEATURES

- **Position insensitive**
- **No moving parts to wear out**
- **Compact size**
- **Fast response time due to low internal volume**
- **Solid-state circuitry for long life**
- **Low power consumption**
- **CE certification**



T30 Series

SPECIFICATIONS	
Supply Voltage	11 to 32 VDC
Accuracy	±1% full scale
Signal Output	4-20 mA @ 700Ω (Source)
Sensor Type	<5"WC, Piezoresistive >5"WC
Capacitive Adjustments	(Z/S) Zero & Span trim POTs, Non-interactive, (Bi-dir is interactive)
Normal Measurement Range	0 to 10"WC, Bi-Directional
Overpressure	(Burst) ±5 to 11"WC (1.25 to 2.88 kPa)
Max Operating Pressure	(Proof) ±0.3 to 10" WC (74 Pa to 2.5 kPa)
Operating Temperature	32 to 115°F (0 to 45°C)
Operating Humidity	10 to 90% Non-condensing
Wetted Parts	Silicone
Media Compatibility	Inert
Process Connection	Dry air 3/16" OD ABS Plastic, for 1/4" OD tubing
Wiring	2, #6 Terminals
Mounting	2, #8 screws
Enclosure Rating	Polyphenylene oxide (NORYL™), NEMA 1
Dimensions	5.15"W x 3.00"H x 1.48"D, (13.08 x 7.62 x 3.76 cm)
Weight	0.42 lb (0.19 kg)
Approvals	CE
Warranty	1 year



ORDERING INFORMATION

MODEL	DESCRIPTION
T30	Differential pressure transmitter with NEMA 1 case
004	RANGE CODE (see Table 1 to the right)
	OPTIONS (leave blank for standard unit)
B	Bidirectional (12 mA @ zero pressure)

Example: T30-004-B Differential pressure transmitter 4 mA @ -0.2" W.C., 12 mA @ 0" W.C., and 20 mA @ + 0.2" W.C., 24 VAC power

Note: NIST certification options available, consult Kele

RANGE CODE	GE MODEL	PRESSURE RANGE*	
		"W.C.	Overpressure
003	03E	0-0.3	5" W.C.
005	04E	0-0.5	5" W.C.
010	05E	0-1.0	20" W.C.
020	06E	0-2.0	20" W.C.
030	07E	0-3.0	20" W.C.
050	08E	0-5.0	5 psid
100	09E	0-10.0	5 psid

*Call Kele for higher pressure ranges or metric ranges